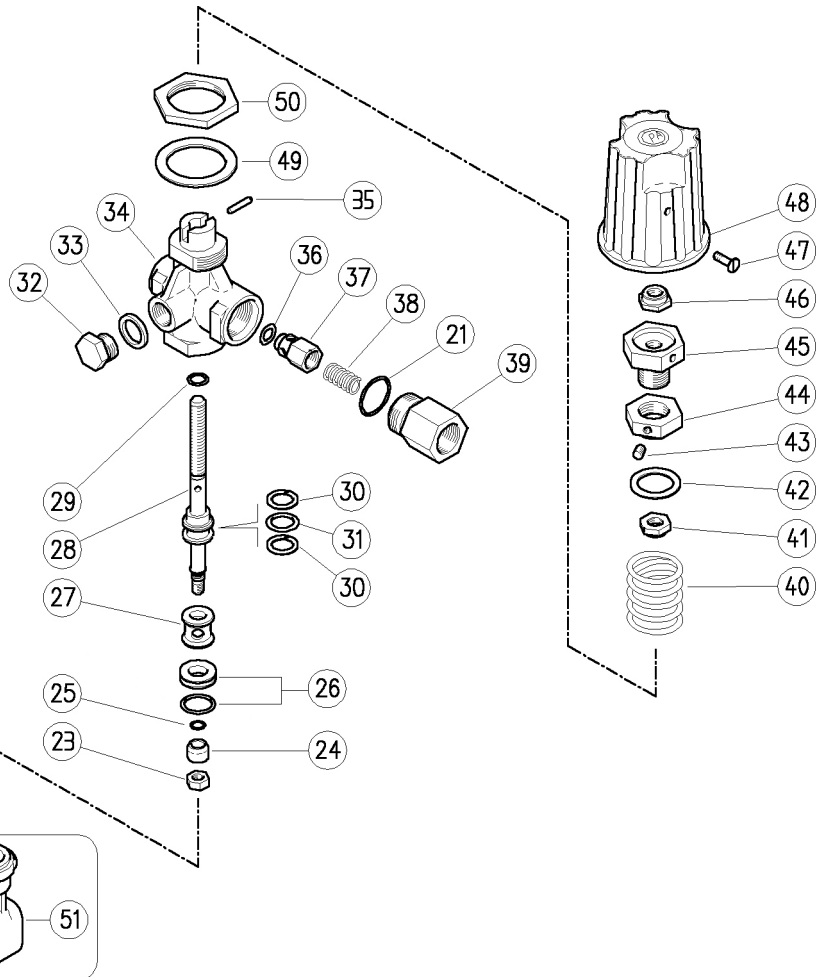
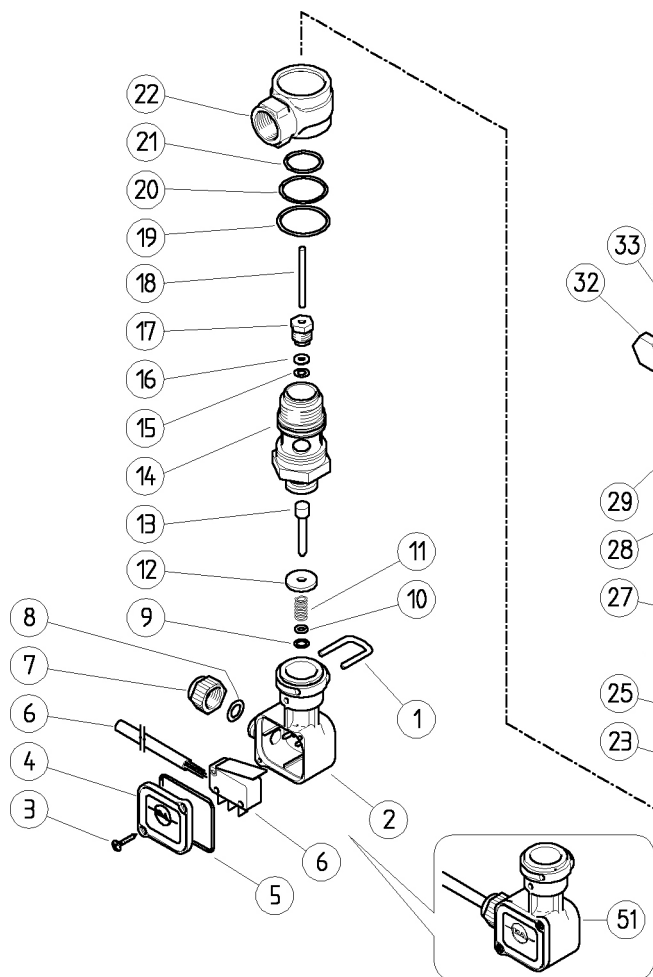


60.2350.00 VB9 unload. 3/8F Bsp +el.sw.+knob

60.2365.00 VB9 unload. 3/8F+2x1/4 Bsp F+el.sw.+knob



Pos.	P/N	Description	Q.ty	K1	K2	K3	K4
1	29.0087.51	U-bolt, Sst.	1				
2	29.0089.84	Housing, PR5 PA black	1				
3	16.3020.00	S/tapp. screw, 2,5x12mm chrom	2				
4	29.0088.84	Lid, PR5 PA black	1				
5	10.3206.01	O-ring, 2,62x28,25 mm	1	•			
6	12.5006.00	Cable, 3x0,75 L.1000 mm+ Microswitch	1				
7	29.0109.84	Locknut for cable gland, PA red	1				
8	10.3169.00	O-ring, 2,62x6,02 mm	1	•			
9	10.3038.00	O-ring, 1,78x3,68 mm	1	•			
10	14.3519.00	Washer, 4x8x0,5 mm brass	1				
11	60.2303.51	Spring, 1,1x8x20 mm Sst.	1				
12	29.0086.31	Washer, 4x16x2,5 mm brass	1				
13	60.2351.31	Micro-switch piston, brass	1				
14	60.2353.31	Seat holder, brass	1				
15	10.3165.00	O-ring, 2,62x2,84 mm Vi 70	1	•			
16	10.4018.00	Back-up ring, 3,2x7,5x1,2 mm	1	•			
17	30.4115.31	Front Plug, M10x1 brass	1				
18	60.2352.51	Parallel pin, 3x41mm Sst.	1				
19	10.3073.00	O-ring, 1,78x23,52 mm	1	•			
20	10.3072.50	O-ring, 1,78x21,95 mm	1	•			
21	10.3070.02	O-ring, 1,78x18,77 mm Ni 85	2	•			
22	60.0733.35	Valve manifold, brass	1				
23	11.4540.00	Hex. nut, M6, Sst.	1				
24	60.2205.61	Sst shutter	1	•			
25	10.3001.01	O-ring, 1x4 mm Ni 85	1	•			
26	60.2221.20	Seat+O-ring	1	•			

Pos.	P/N	Description	Q.ty	K1	K2	K3	K4
27	60.2210.31	Spacer ring, 8,5x16,8x14,5 mm brass	1				
28	60.2202.51	Piston, M6-M8 Sst.	1				
29	10.3170.08	O-ring, 2,62x7,6 mm Ni 85	1	•			
30	10.4021.00	Back-up ring, opn. 11,5x15,9x1,2 mm	2	•			
31	10.3175.00	O-ring, 2,62x10,77 mm	1	•			
32	28.0013.31	Plug, brass 1/4 Bsp	1				
33	14.3911.00	Washer, 13,5x19x1,5 mm Cu	1				
34	60.2201.35	Housing -VB9, 3/8F-1/4F Bsp brass	1				
34	60.2211.35	Housing -VB9, 3/8F+2x1/4F Bsp brass (1)	1				
35	15.1021.00	Roll pin, 3x14 mm Sst.	1				
36	10.3213.00	O-ring, 3x6 mm	1	•			
37	60.0052.99	Shutter pin, brass+o-ring 3x6 mm	1				
38	60.0053.51	Spring, 0,7x9x20 mm Sst.	1				
39	60.0058.31	Delivery coupl., 3/8F Bsp brass	1				
40	60.2203.61	Spring, 4,2x27,4x31 mm z.pl.	1				
41	60.2207.31	Ring nut, M8 brass	1				
42	60.2208.84	Washer, 19x26x1,5 mm PA black	1				
43	16.2105.00	Set screw, DIN913 M5x6 mm	1				
44	60.2252.31	Ring nut, M16x1 brass	1				
45	60.2253.31	Regulating pin, brass	1				
46	11.4589.10	Hex. locknut, M8	1				
47	16.1838.00	Screw, DIN7985 M4x10 mm z.pl.	1				
48	60.2251.84	Valve regulating knob, PA black	1				
49	14.3582.00	Washer, 30,5x42x2 mm	1				
50	60.2254.31	Ring nut, M30 brass	1				
51	29.0096.24	Casing kit -PR5, complete 40bar	1				

Kit	P/N	Description	Q.ty
K1	60.2355.24	Repair kit -VB9/01+PR5, 14x1pcs.	1

(1) 60.2365.00